

ELEMENTARY DIAGRAM
CONTROL CIRCUIT

YCAL0043-YCAL0052 ULTRA LOW SOUND (460V AND 380-415V 50 HZ)

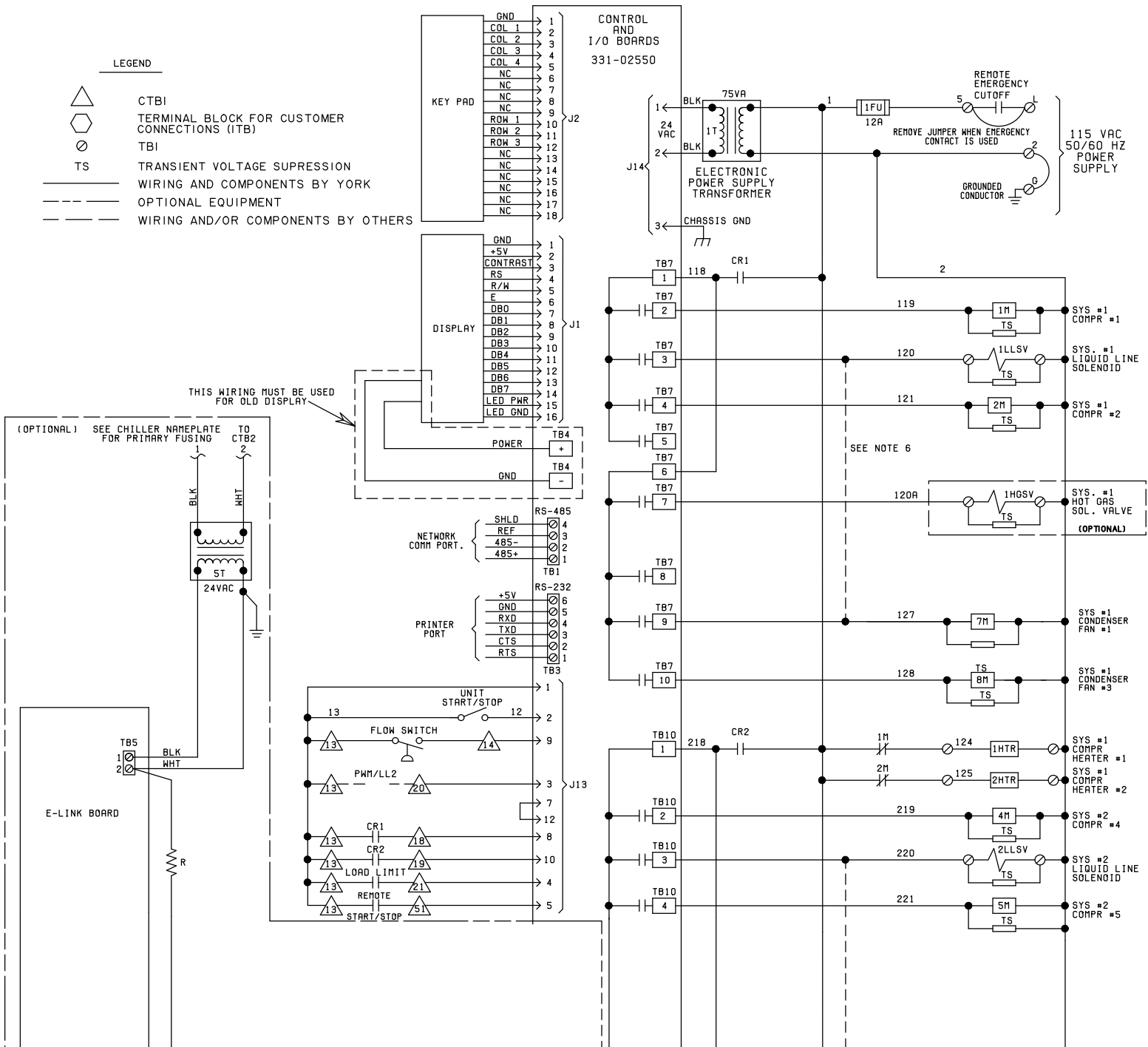


FIGURE 14 - CONTROL WIRING DIAGRAM, DUAL CIRCUIT, IPU II

