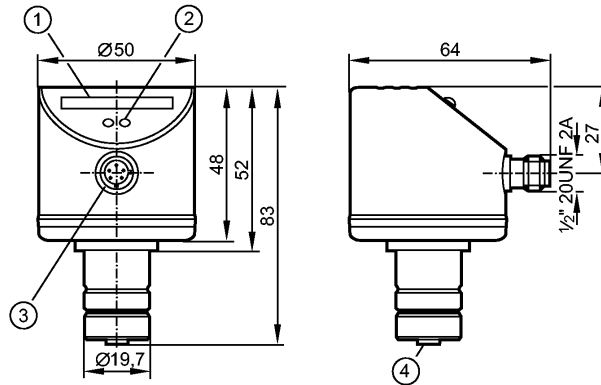


SR5906

SRM12XXAKOW/LS-100-IRF

Evaluation systems



- 1: LED display
- 2: setting pushbutton
- 3: connection for voltage supply and output signals
- 4: connection for flow sensor



Product characteristics

Control monitor for flow sensors

Connection: 1 sensor

Application

Application: flow monitoring and wire breaking monitoring

Electrical data

Electrical design	AC / relay
Operating voltage [V]	85...265 AC
Nominal voltage [V]	90...240 AC (45...65 Hz)
Voltage tolerance [%]	-5 / +10
Power consumption [VA]	< 3.5
Protection class	II
Reverse polarity protection	no

Outputs

Output function	normally open / closed programmable
Switching function	
- Flow monitoring	output switches ON when flow is present (for output function = normally open) output switches OFF when flow is present (for output function = normally closed)
Contact rating	3 A (250 V AC / 30 V DC) ¹⁾
Short-circuit protection	no
Overload protection	no

Reaction times

Power-on delay time [s]	10
-------------------------	----

Software / programming

Adjustment of the switch point	pushbuttons
--------------------------------	-------------

Environment

Ambient temperature [°C]	-20...60
Protection	IP 67; with sensor attached

Tests / approvals

EMC	EN 61000-4-2 ESD: 4 kV CD / 8 kV AD EN 61000-4-3 HF radiated: 10 V/m
-----	---

SR5906

SRM12XXAKOW/LS-100-IRF

Evaluation systems

	EN 61000-4-4 Burst:	2 kV
	EN 61000-4-6 HF conducted:	10 V
Shock resistance	DIN IEC 68-2-27:	30 g (6 ms)
Vibration resistance	DIN IEC 68-2-6:	5 g (55...2000 Hz)
MTTF	[Years]	209

Mechanical data

Housing materials	stainless steel 316L / 1.4404; stainless steel 304 / 1.4301; PC (Makrolon); PBT-GF 20; EPDM/X (Santoprene); brass	
Weight	[kg]	0.232

Displays / operating elements

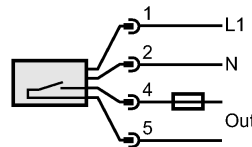
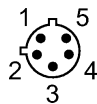
Function display	LED display	
Output status indication	LED	Orange LEDs flash in case of wire break

Electrical connection

Connection	1/2" UNF-Connector	
------------	--------------------	--

Wiring

N.B: no protective insulation between relay circuit and supply voltage



n.c. = not connected
 Note: miniature fuse to IEC60127-2 sheet 1, ≤ 5 A (fast acting)

Remarks

Remarks	<p>1) number of switching cycles: 20 million mechanically switching cycles with 3 A load: 100.000 electrically relay type: contact closed at work connection for flow sensor without short-circuit protection / reverse polarity protection The flow sensor must be directly connected to the control monitor. A connection by means of extension cables is not allowed. Recommendation: check the unit for reliable function after a short circuit.</p>
---------	---

Pack quantity	[piece]	1
---------------	---------	---