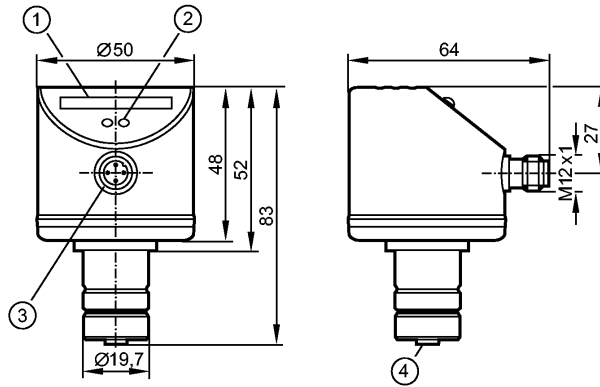


**SR5900**

SRM12XXBFPKG/

Evaluation systems



- 1: LED display
- 2: setting pushbutton
- 3: connection for voltage supply and output signals
- 4: connection for flow sensor



**Product characteristics**

Control monitor for flow sensors

Connection: 1 sensor

**Application**

Application: flow monitoring and wire breaking monitoring

**Electrical data**

Electrical design	DC PNP
Operating voltage [V]	19...36 DC
Current consumption [mA]	< 70
Protection class	III
Reverse polarity protection	yes

**Outputs**

Output function: normally open / closed programmable

**Switching function**

- Flow monitoring: output switches ON when flow is present (for output function = normally open)  
output switches OFF when flow is present (for output function = normally closed)

Current rating [mA]	250
Voltage drop [V]	< 2.5
Short-circuit protection	yes
Overload protection	yes

**Reaction times**

Power-on delay time [s]: 10

**Software / programming**

Adjustment of the switch point: pushbuttons

**Environment**

Ambient temperature [°C]: -20...60

Protection: IP 67; with sensor attached

**Tests / approvals**

EMC	EN 61000-4-2 ESD:	4 kV CD / 8 kV AD
	EN 61000-4-3 HF radiated:	10 V/m
	EN 61000-4-4 Burst:	2 kV

## SR5900

SRM12XXBFPKG/

Evaluation systems

	EN 61000-4-6 HF conducted:	10 V
Shock resistance	DIN IEC 68-2-27:	30 g (6 ms)
Vibration resistance	DIN IEC 68-2-6:	5 g (55...2000 Hz)
MTTF	[Years]	342

### Mechanical data

Housing materials	stainless steel 316L / 1.4404; stainless steel 304 / 1.4301; PC (Makrolon); PBT-GF 20; EPDM/X (Santoprene); brass	
Weight	[kg]	0.212

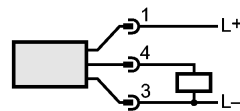
### Displays / operating elements

Function display	LED display	
Output status indication	LED	Orange LEDs flash in case of wire break

### Electrical connection

Connection	M12 connector	
------------	---------------	--

### Wiring



### Remarks

Remarks	connection for flow sensor without short-circuit protection / reverse polarity protection The flow sensor must be directly connected to the control monitor. A connection by means of extension cables is not allowed.
---------	---

Pack quantity	[piece]	1
---------------	---------	---