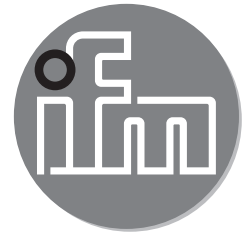


ifm electronic



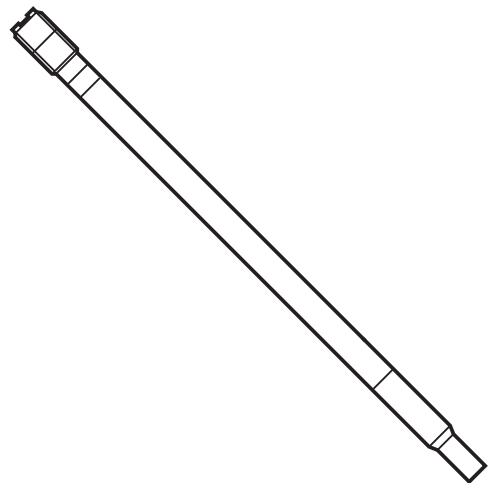
Installation Instructions
Flow sensor

efector300[®]

SF6200

UK

701816 / 01 03 / 2011



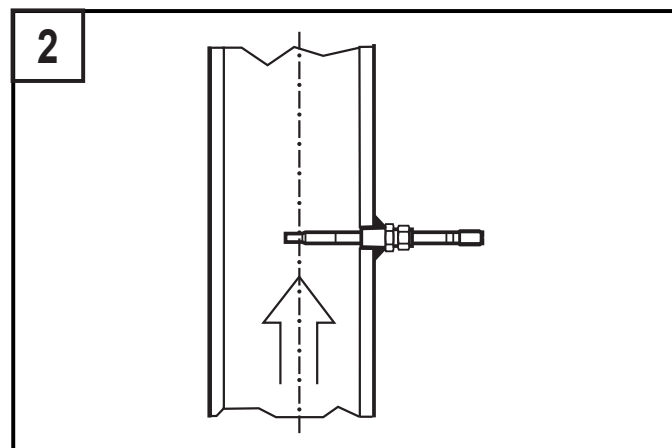
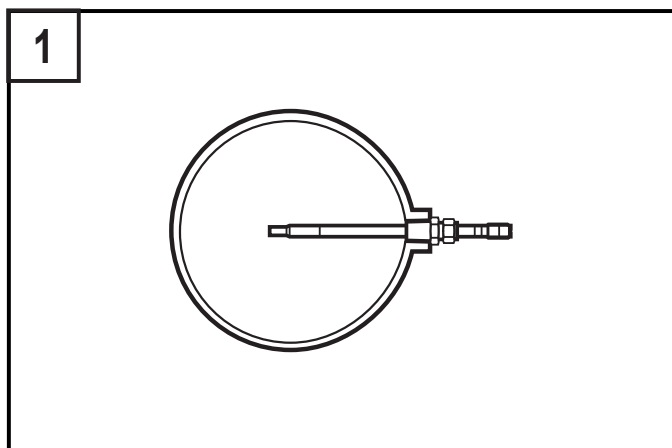
1 Function and features

In conjunction with the VS3000 control monitor the flow sensor monitors flows in liquids and gases. The sensor / control monitor combination senses whether a preset flow value has been reached (= medium flowing) or not (= medium not flowing) and provides a switched signal.

2 Installation

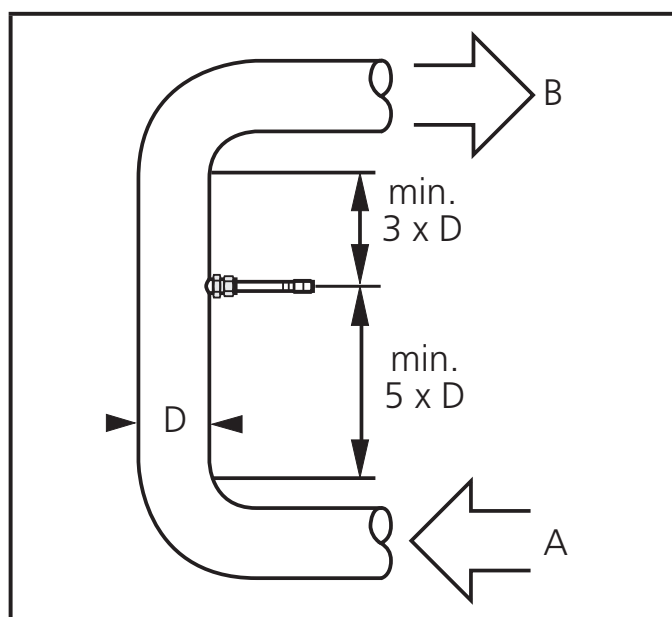
The unit is adaptable for various process fittings (clamp adapters to be ordered separately as accessories, order no. E4016, E40174).

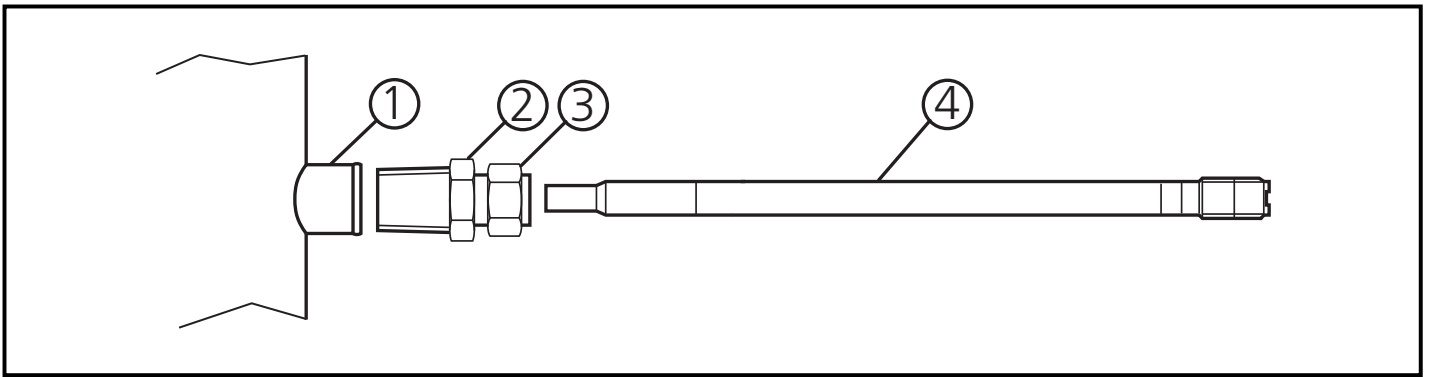
- In the case of horizontal pipes mount the unit from the side, if possible (fig. 1).
 - When the unit is to be mounted at the bottom of the pipe, it should be free from deposits.
 - When the unit is to be mounted at the top of the pipe, it should be completely filled with the medium to be monitored.
- In the case of vertical pipes mount the unit in a place where the medium flows upwards (fig. 2).



To avoid malfunction a minimum distance between the flow sensor and bends, valves, changes in cross-section or such like must be observed:

- Min. 5 x pipe diameter upstream (A),
- min. 3 x pipe diameter downstream (B).





- ▶ Screw the clamp adapter (2) onto the process fitting (1).
 - ▶ Insert the flow sensor (4) into the adapter.
 - ▶ Set the requested installation length.
 - ▶ Tighten the nut (3) (follow the instructions included with the clamp adapter).
- Recommended insertion depth of the sensor: 20 ... 30 mm in the pipe. Min. 12 mm, max. to mid pipe.
- Note: The sensor tip must not touch the pipe wall.

UK

3 Electrical connection



Connection to control monitor VS3000 or SR59xx; voltage supply to EN50178, SELV, PELV.

The unit must only be connected by an electrician.
 The national and international regulations for the installation of electrical equipment must be observed.
 For units with cULus approval and the scope of validity cULus:
 The device shall be supplied from an isolating transformer having a secondary Listed fuse rated either

- a) max 5 amps for voltages 0~20 Vrms (0~28.3 Vp) or
- b) 100/Vp for voltages of 20~30 Vrms (28.3~42.4 Vp).

4 Scale drawing

