

3 COOLING COIL PIPING DIAGRAM  
M-4.1 SCALE: NONE

# Hydronic Flow Diagram

Provide permanent air vent,  
(Sarco AE30A) and 1/2"  
discharge to Glycol Makeup

FIELD INSTALLED  
FLOW SWITCH

3/4" Screwed  
Connection

3" Grooved  
Connection

3" Grooved  
Connection

ITEMS IN BOX LOCATED ON SKID

FIELD INSTALLED PIPING


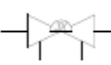

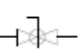






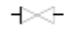

3" Grooved  
Connection

3" Grooved  
Connection

HYDROKIT ITEMS VARY BASED UPON SELECTION

ITEMS IN BOX THAT ARE DESIGNATED WITH \* ARE  
PROVIDED AND INSTALLED BY FISEN

CHILLER

	PRESSURE GAUGE
	TRIPLE DUTY VALVE
	MANUAL AIR VENT
	BALL VALVE
	GROOVED CONNECTION
	SCREWED CONNECTION
	AIR SEPERATOR
	EXPANSION TANK
	GLYCOL MAKEUP UNIT
	PRESSURE REDUCING VALVE
	GATE VALVE
	THERMOMETER

Provide Temporary air vent, (Sarco AE30A) and discharge to safe location

